

TecNiq's E25/E26 spring mounted dome lights provide easy installation and a clean edge finish. With options ranging from available power switch to three color temperatures to choose from; this moisture resistant, vibration proof light is a great solution to interior lighting needs.

See www.TecNiqInc.com for more details and a complete list of part numbers.

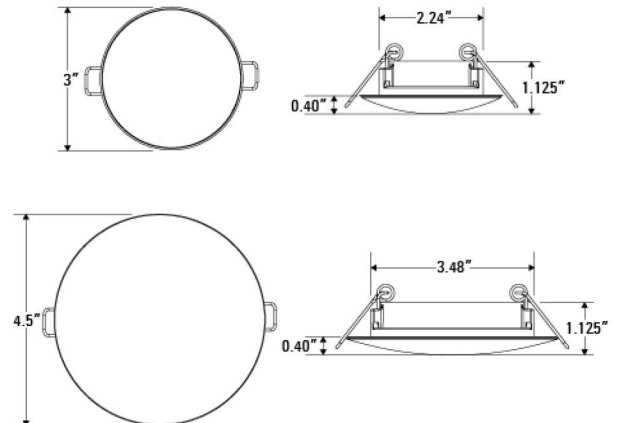


Technical features

- ✦ New spring mounted design comes in 3" and 4.5" sizes
- ✦ Moisture resistant and vibration proof
- ✦ Features diffused lens, clean low profile appearance
- ✦ Available with or without ON/OFF push button switch

Specifications

Dimensions:	3" x 1.125"
LEDs:	3
Voltage:	9 - 14V DC
Current:	0.48A-0.59A white +0.32A-0.44A red (optional) +0.55A-0.74A blue (optional)
Connector:	9"
Mounting:	Spring Mounted
LED colors:	White, Warm White and Cool White
Lumens:	150



California Proposition 65

WARNING: This product can expose you to chemicals including lead, which is known to the State of California to cause cancer, birth defects or other reproductive harm

Part Numbers	Description	Std	Connector
E25-L000-1	3" Spring Mounted Dome Light, Neutral White	5	15" Pigtail
E25-M000-1	3" Spring Mounted Dome Light, Warm White	5	15" Pigtail
E25-W000-1	3" Spring Mounted Dome Light, Cool White	5	15" Pigtail
E26-L000-1	4.5" Spring Mounted Dome Light, Neutral White	5	15" Pigtail
E26-LP00-1	4.5" Spring Mounted Premium Dome Light, Neutral White	5	15" Pigtail