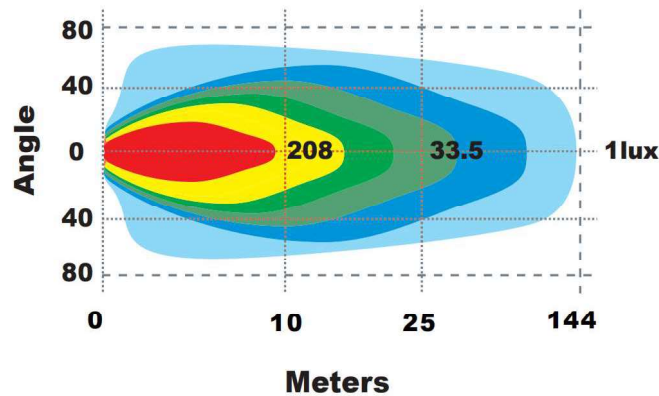
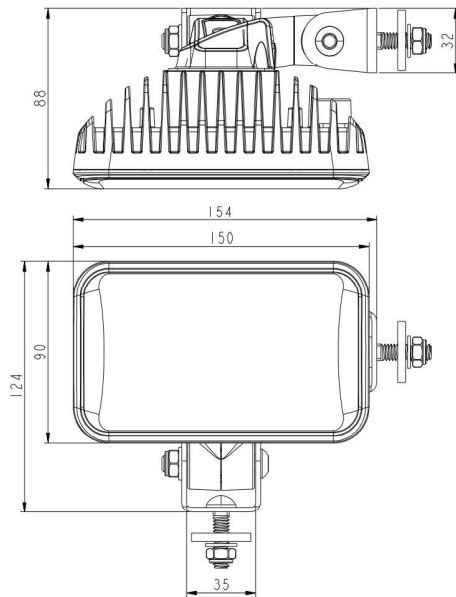
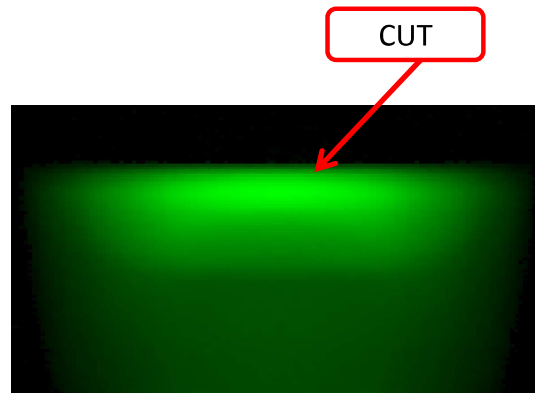


# ARENCO

# TITAN-610



### Materials:

- 10pcs\*6W LED (ETI)
- Color Temperature: 5700K
- Die Cast Aluminum Alloy (ADC12) Heat-Sink
- PMMA Lens
- PC Front Cover
- Anodized Polyester Powdercoat
- Stainless Steel Mounting Bracket

### Features:

- "Aspheric Lens" Optical System
- **Zero Glare Beam**
- Bottom&Side Bracket
- Over / Under Voltage Protection
- Reverse Polarity Protection
- Diffused Beam: 100°X40°
- IP68/69K/CE/RoHS/R10
- Electronic Thermal Management (ETM)
- 50,000+ Hr LED Lifespan

Part NO.

LEDs

Dimensions

Beam pattern

AMP Draw  
(12V/24V)

Luminous Flux  
(lm)

Peak Beam  
Intensity(cd)

Operating conditions:

TITAN-610

10\*6w

150\*90\*88mm

Zero Glare Beam

5.5A/2.8A

Raw lumens:5600LM

Effective lumens:4400LM

20736cd

· Voltage: DC9-36V

· Environment temperature -40~+60 ° C