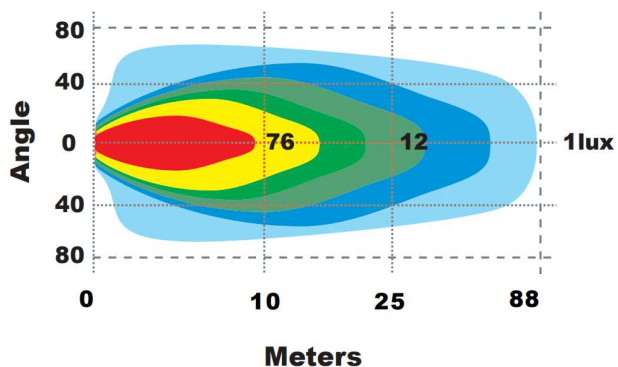
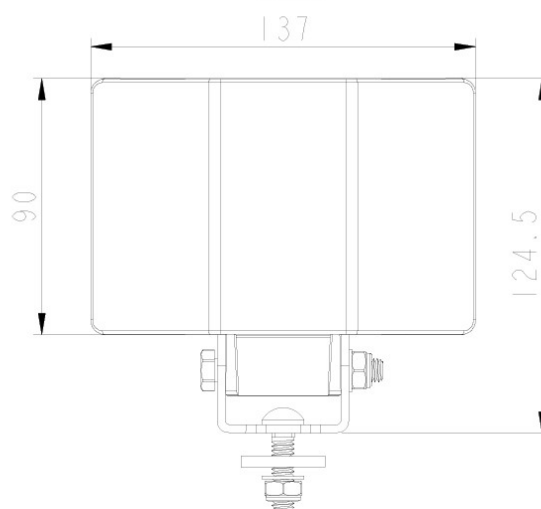
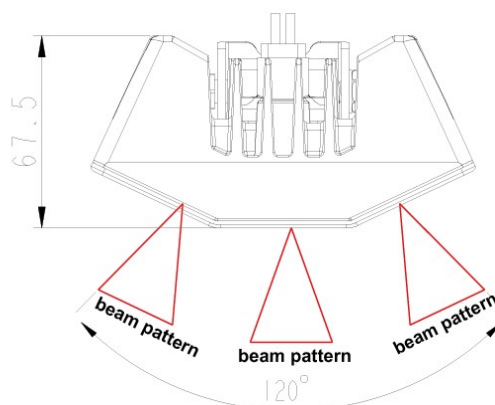


ARENCO

TITAN-660



PC COVER



Materials:

- 6pcs*10W LED (OSRAM)
- Color Temperature: 5700K
- Die Cast Aluminum Alloy (ADC12) Heat-Sink
- Efficient Polycarbonate(PC) Lens
- PC Front Cover
- Anodized Polyester Powdercoat
- Stainless Steel Mounting Bracket

Features:

- "Three In One" Optical System
- Electronic Thermal Management (ETM)
- Approved by CISPR25-Class5
- Over / Under Voltage Protection
- Reverse Polarity Protection
- Diffused Beam: 120°*35
- Comply with IP68/RoHS
- Approved by IP69K/CE/R10/CISPR 25 CLASS5
- In-Built Deutsch Connector
- 50,000+ Hr LED Lifespan

Part NO.	LEDs	Dimensions	Beam pattern	AMP Draw (12V/24V)	Luminous Flux (lm)	Peak Beam Intensity(cd)	Operating conditions:
					Raw lumens: 5600Lm Effective lumens: 4760Lm		
TITAN-660	6*10w	137*90*67.5mm	Diffused	4.2A/2.1A		7650cd	<ul style="list-style-type: none"> · Voltage: DC9-36V · Environment temperature -40~+60 ° C