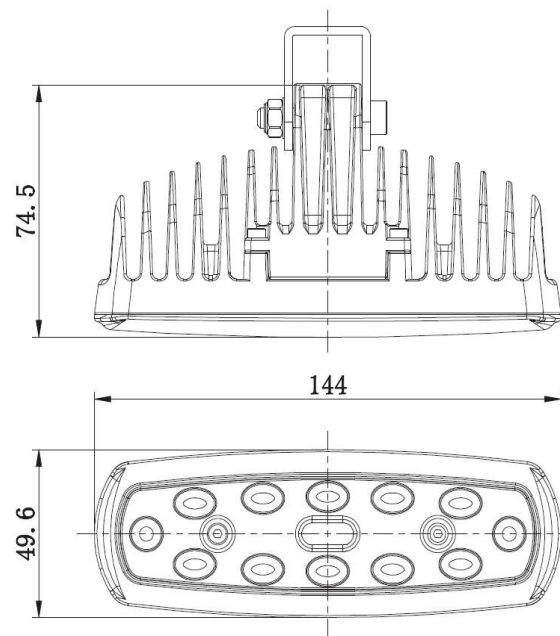
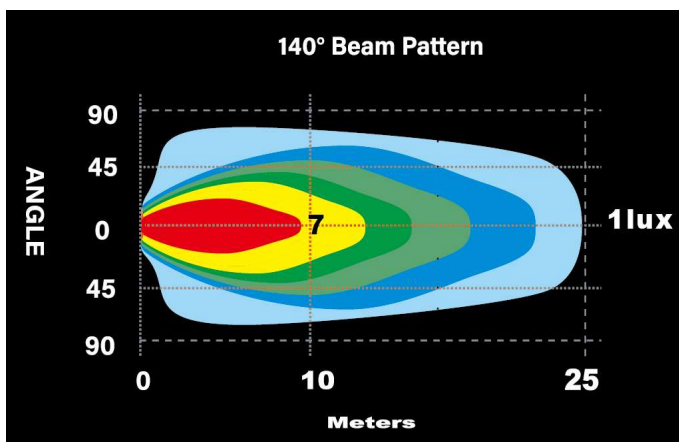


# ARENCO

## TITAN-6BAR



### Materials:

- 12pcs\*1.2W LED(lumileds)
- Color Temperature: 6500K
- ADC12 Housing
- Efficient Polycarbonate(PC) Reflector
- Lexan Polycarbonate(PC) Front Cover
- Anodized Polyester Powdercoat
- Back Bracket

### Features:

- Flood Beam(140°\*60°)
- Anti Rust / Corrosion / Freezing Resistance
- Electronic Thermal Management (**ETM**)
- Side-Reflecting Optic System
- Approved by ECE R23/ R10 ,CE
- Over / Under Voltage Protection
- Reverse Polarity Protection
- UV Resistant, ShockResistant
- **Comply with IP68 /69K**
- 50,000+ Hr LED Lifespan

Part NO.	LEDs	Dimensions (mm)	Beam pattern	AMP Draw (12V/24V/)	Luminous Flux (lm)		Peak Beam Intensity(cd)	Operating conditions:
					Raw Lumen:1960LM	Effective lumen:1862LM		
TITAN-6BAR	12*1.2W	144*49.6*74.5	Flood Beam(140°*60°)	1.1A / 0.56A	Raw Lumen:1960LM	Effective lumen:1862LM	625	<ul style="list-style-type: none"> <li>· Voltage: DC9-36V</li> <li>· Environment temperature -40~+60 ° C</li> </ul>