

ARENCO

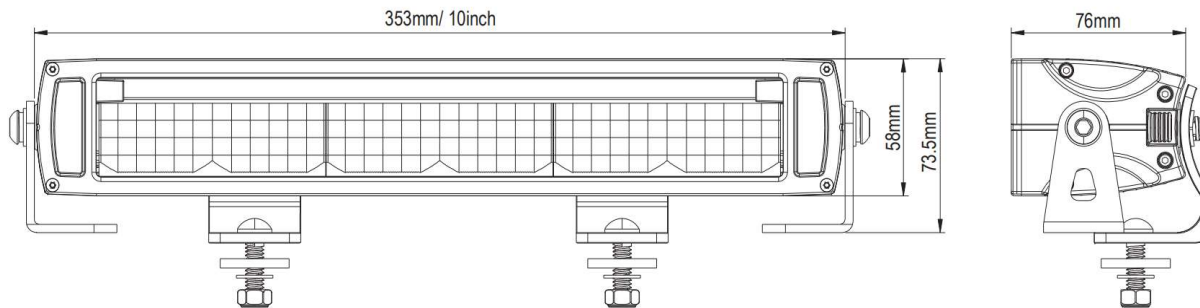
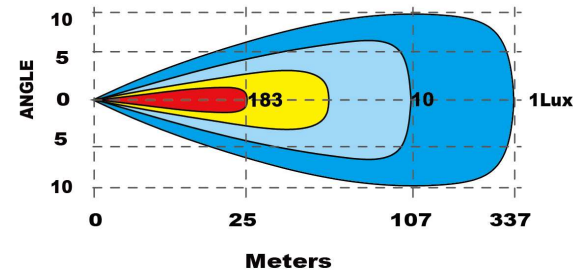
TITAN-14HBAR



Parking Light



DRIVING BEAM



Materials:

- 6Pcs*10W ETI LED
- Color Temperature: 6000K
- ADC12 Aluminum Heat-Sink
- Efficient Polycarbonate(PC) Reflector
- Tempered Glass Front Cover
- Anodized Polyester Powdercoat
- SIDE&BOTTOM BRACKET

Features:

- Driving Beam+Parking Light
- **Automatic Anti-ice & snow system**
- Anti Rust / Corrosion / Freezing Resistance
- Electronic Thermal Management (**ETM**)
- Side-Reflecting Optic System
- CE / ECE R10/R112/R7 (**REF:20**)
- Over / Under Voltage Protection
- Reverse Polarity Protection
- UV Resistant, Shock Resistant
- **IP68 Waterproof Breather**
- 50,000+ Hr LED Lifespan

Operating conditions:

- Voltage: DC9-30V
- Environment temperature -40~+60 ° C

Part NO.	LEDs	Dimensions (mm)	Beam pattern	AMP Draw (12V/24V/)	Luminous Flux (lm)	Peak Beam Intensity(cd)
TITAN-14HBAR	6X10W	353*58*76	Driving Beam	4.2A /2.1A(LED)	Raw :5700LM	117649
				5.7A /2.9A(LED+Heat LENS)	Effective:4900LM	